

CL15GRS – 10  
CL15GRS – 15



General Hydraulic DWS

General Hydraulic. General Hydraulic

General Hydraulic

( )

General Hydraulic DWS

1.

1.1.  
CL15GRS – 10 (15) –

1.2

- + 110°
- + 40°
- - 220
- - 50
- - ±10%
- R ½"
- - CL15GRS-10 - 90
- CL15GRS-15 - 120
- - CL15GRS-10 - 10
- CL15GRS-15 - 15
- Q – 1,1 3/4
- - CL15GRS-10 – 2,5
- CL15GRS-15 – 3,5

1.3

General Hydraulic DWS

2.

2.1.

General Hydraulic DWS

2.3.

2.4.

2.5.

2.6.

2.7.

3.

4.

4.1.

4.2.

R 1/2"

5.

5.1.

5.2.

12.1.030-81 CC

90°

6.

6.1.

- - off - ( . .7)
- **II** - auto - ( . .8)
- **I** - manual - ( . .9). manual,

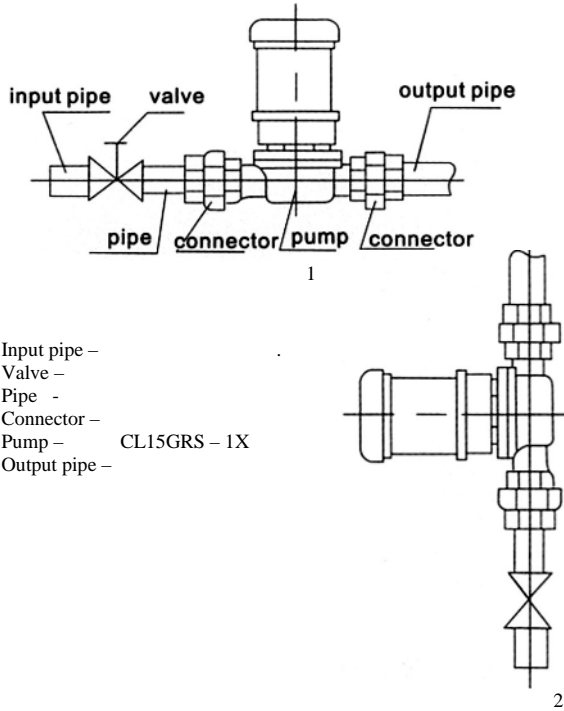
7.  
 7.1.  
 -  
 -  
 (20-30 ).  
 -  
 -  
 7.2.  
 -  
 ( ).  
 7.3.  
 -  
 -  
 7.4.  
 -  
 -  
 -

8.  
 -  
 -12  
 -  
 ( , )  
 -  
 General Hydraulic  
 -  
 General Hydraulic. ( , )  
 8.1.  
 ,  
 -  
 ;  
 -  
 ;  
 -  
 ;  
 -  
 ;  
 -  
 ;

-  
 -  
 General Hydraulic  
 -  
 General Hydraulic

8.2. **General Hydraulic.**  
 → 129110, - , .16, .1  
 « », 9 ,7 , 7074-7076  
 / ::(495) 937-2201/ 42  
 → - 192029, - , .70/2  
 .(812)740-7362/ 63  
 → - - 344010, - , .60/348  
 ::(863)227-61-41/ 42/ 43/ 44  
 → 350010, . , .5, « »  
 ::(861)210-12-91/ 92/ 93  
 → 630052, . , .35 .(383) 362-0203/04  
 → 623700,  
 15 , " , ::(343) 345-2277  
 → 443070, . , .17 1 ::(864)266-6502/ 03  
 → 420095, . , .100, .209 ::(843)555-80-90  
 → 625014, . .6 ::(3452) 49-49-17

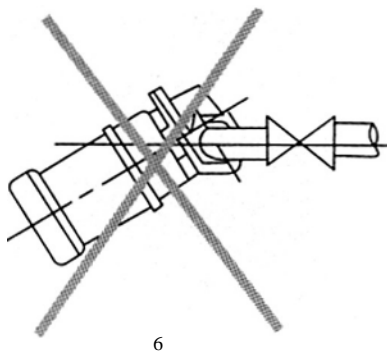
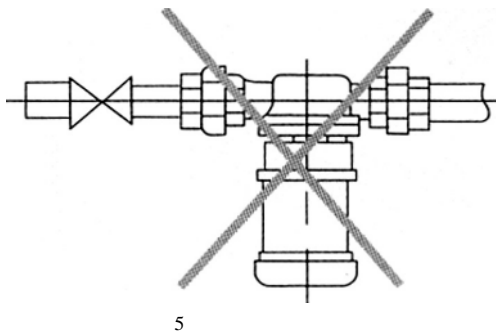
<p><b>1</b></p> <p>_____</p> <p>_____</p> <p>_____</p> <p>_____</p>	<p>( . . )</p> <p>_____</p>
<p><b>2</b></p> <p>_____</p> <p>_____</p> <p>_____</p> <p>_____</p>	<p>( . . )</p> <p>_____</p>
<p><b>3</b></p> <p>_____</p> <p>_____</p> <p>_____</p> <p>_____</p>	<p>( . . )</p> <p>_____</p>



General Hydraulic DWS



General Hydraulic DWS



General Hydraulic DWS



General Hydraulic DWS