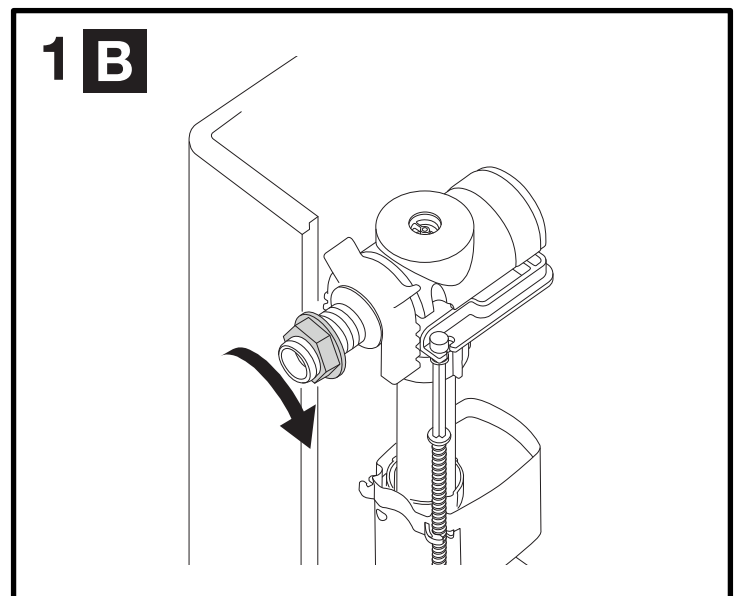
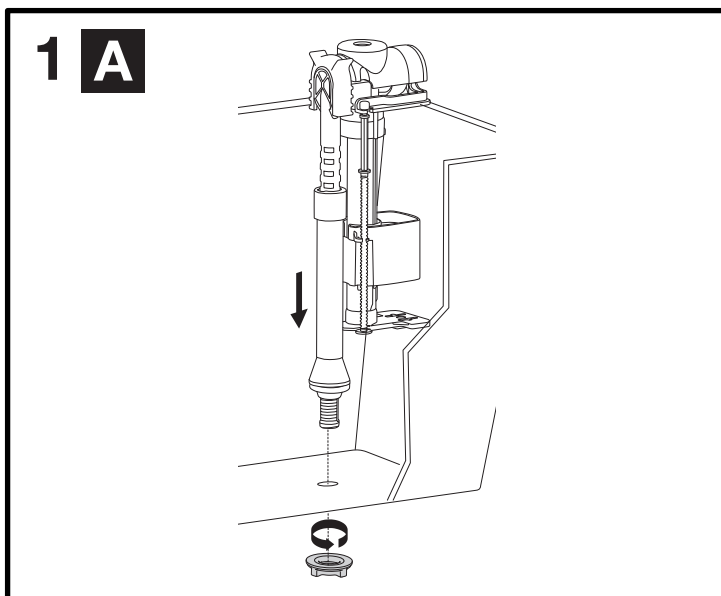
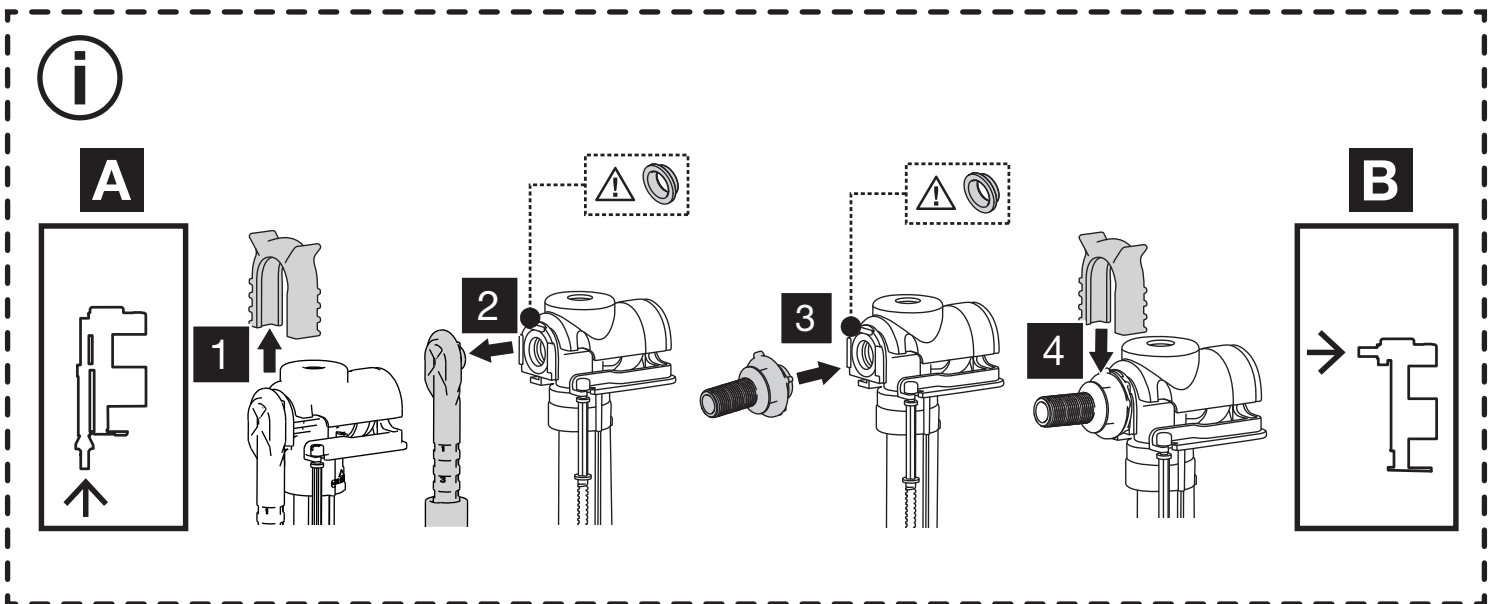
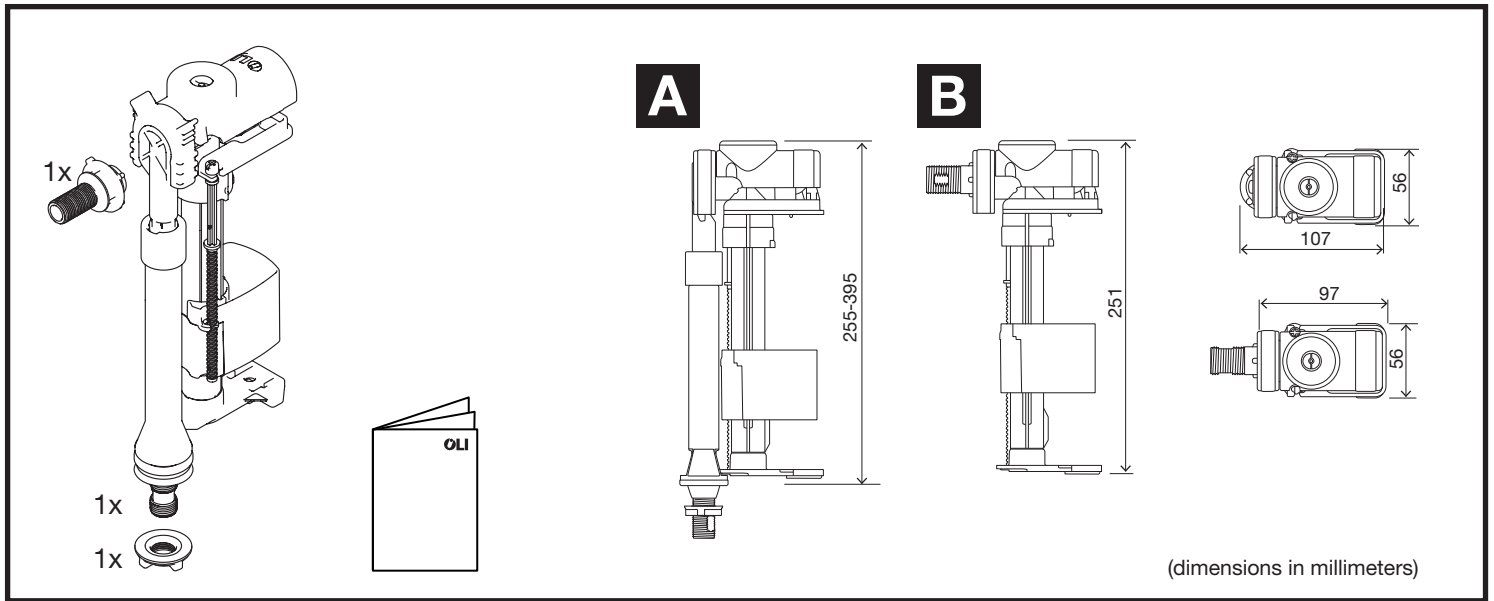


AZOR SILENT 2 IN 1

INFERIOR AND LATERAL INLET VALVE CONNECTION



2 A

